

Fittings for Heat Pumps



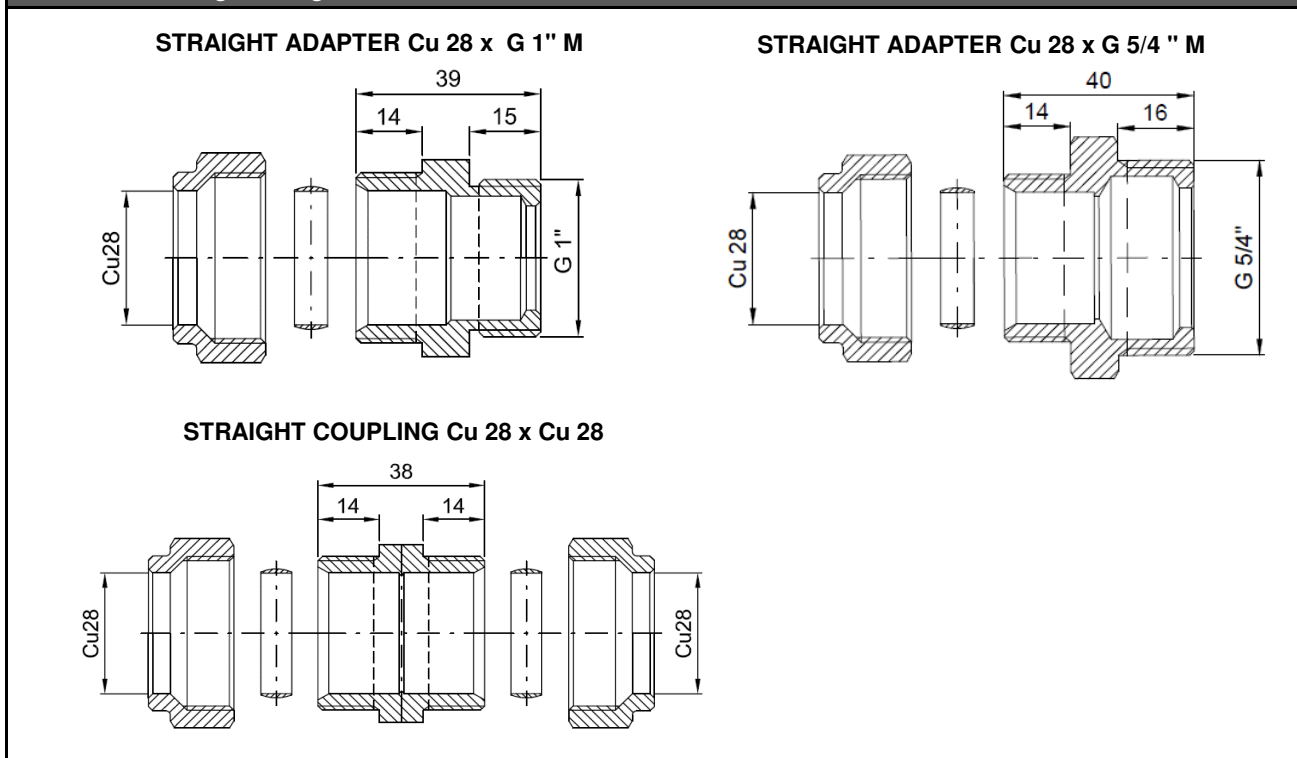
Main Features	
Application	in systems with heat pumps
Working fluid	water, antifreeze fluid for heating systems, heat pumps and solar thermal systems

Technical data	
Max. working pressure	6 bar
Max. working temperature	160 °C

Materials	
Elbows, straight fittings	brass

Name	Code	Weight
Straight adapter Cu 28 x G 1" M	13391	190 g
Straight adapter Cu 28 x G 5/4" M	17090	255 g
Straight adapter Cu 28 x Cu 28	13394	270 g
Elbow Cu 28 x G 1" M	15985	340 g
Elbow Cu 28 x G 5/4" M	17091	400 g
Elbow Cu 28 x Cu 28	16437	415 g

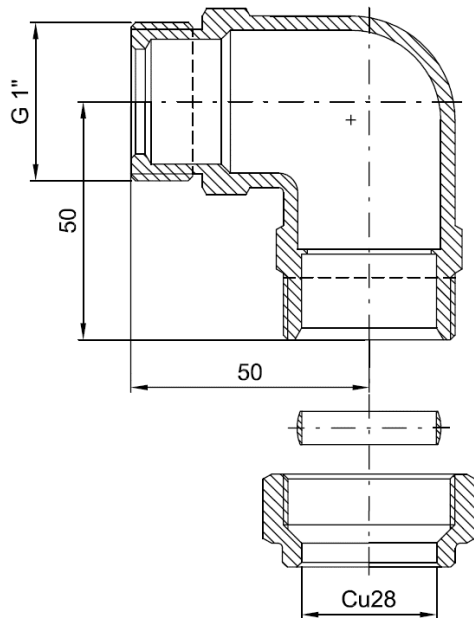
Dimensions- straight fittings



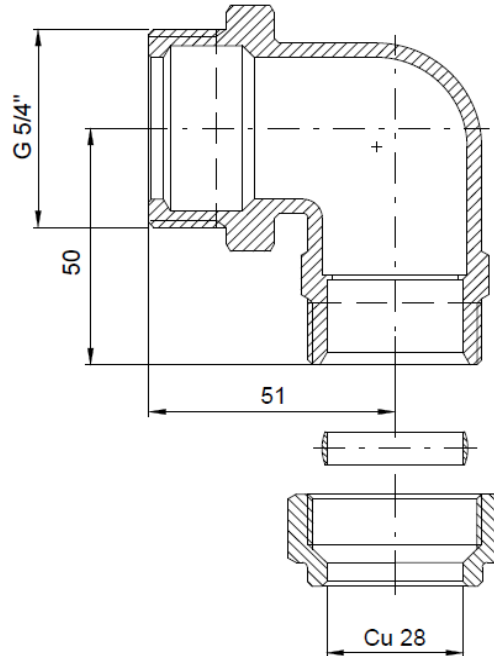
Fittings for Heat Pumps

Dimensions- elbows

ELBOW Cu 28 x G 1" M



ELBOW Cu 28 x G 5/4"



ELBOW Cu 28 x Cu 28

