

Actuator for mixing valves, type ACC



Main features

Application	control of mixing valves
Description	an ACC actuator controls a mixing valve through its dedicated control to a fixed temperature; the side LEDs indicate momentary movement direction, the middle LED indicates the state of the valve (OK = green, FAULT = red), position of the valve member can be read from the sight glass (blue vs. red)
Connection to a valve	included is a set of adapters for connection of mixing valves of various manufacturers: ASCAMSA for Esbe, Seltron, Somatherm, Acaso, Afriso, IVAR, PAW, Hora, BRV, IMIT, Barberi, LK Armatur, Vexve, Olymp, Hoval (5 Nm); ASCAMSG for Esbe VRG
Codes	16 101 for ACC30 (1 sensor) 16 102 for ACC40 (2 sensors, circ. pump switching)

Technical data

Control	to constant temperature; circulation pump switching (ACC40 only)
Torque	6 Nm
Angle of rotation	90°
Shift time	120 s
Auxiliary switch	no
Power supply voltage	230 V ~
Max. power input	3,5 VA
Max. load of R1 relay	5 (1) A, 250 VAC (ACC40 only)
Own consumption	0.5 VA
IP rating	IP42
Protection class	I as per EN 60730-1
Ambient temperature	5 to 40 °C

Dimensions and weight

Dimensions	102 x 84 x 94 mm
Weight	0.80 kg

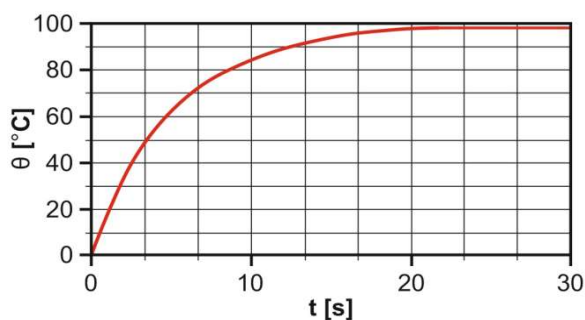
Power cable

Cross section area	3 x 0,5 mm ²
Electrical plug	yes, type E
Length	2 m

Actuator for mixing valves, type ACC

Temperature sensor	
Type	Pt1000
Marking	T1 - red terminal, T2 - black terminal
Quantity	1 sensor (T1) (ACC30), 2 sensors (T1+T2) (ACC40)
Cable length	1 m (T1), 3 m (T2)

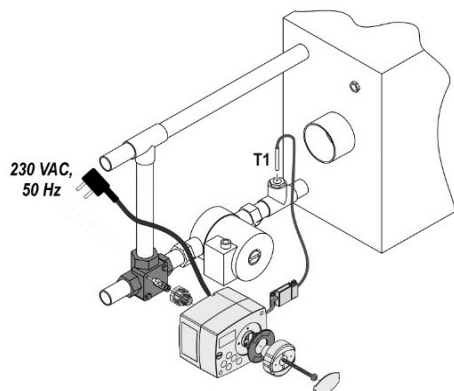
Pt1000 - chart of reaction time in water and temperature vs. resistance table



Temperature [°C]	Resistance [Ω]
0	1000
20	1078
40	1155
60	1232
80	1309
85	1328
90	1347
95	1366
100	1385

Electric wiring

ACC30 (16 101)



ACC40 (16 102)

