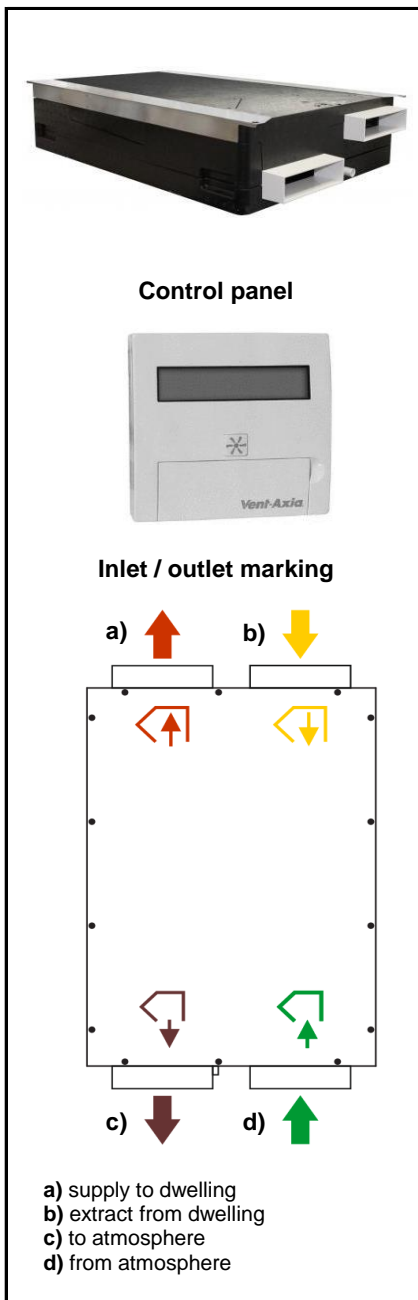


Sentinel Kinetic Horizontal 200 ZPH



Main features	
Description	HRV unit with integrated controller, summer bypass, frost protection and humidity sensor
Application	whole-house HRV unit designed for ventilation of family homes and flats
Bypass	automatic, based on the outdoor and indoor temperatures; it helps cool down inner space in the summer
Code	16 709

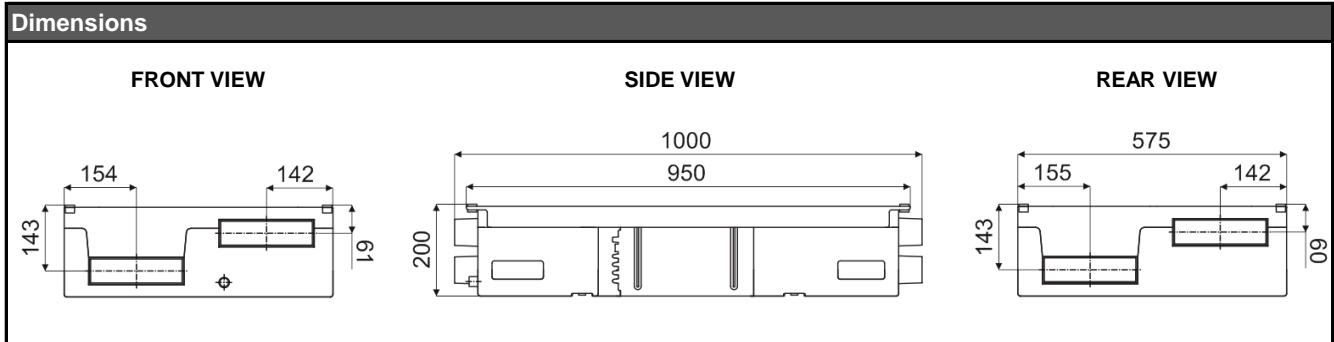
Performance data	
Max. air flow rate *	168 m ³ /h
Heat recovery efficiency	max. 86 %
Low airflow	20 % (preset)
Normal airflow	30 % (preset)
Boost airflow	50 % (preset)
Purge	100 % (preset)

* flow rates for specific installations shall be modified according to performance diagrams

Electric data	
Power supply	220 - 240 V AC, 50 Hz
Power supply fuse	3 A (external fuse)
Unit fuse	2 A (internal fuse)
Nominal power input	max. 175 W
IP rating	IP22

Dimensions, weight and installation	
Length x width x height	1000 x 575 x 200 mm
Spigot diameter	204 x 60 mm
Condensate hose	22 mm
Weight	14 kg
Mounting manner	to be hung under ceiling or into roof frame

Ambient conditions	
Working temperature	-10 to 45 °C
Ambient temperature	-20 to 45 °C
Operating Humidity	up to 95 % RH



Sentinel Kinetic Horizontal 200 ZPH

Values of sound power levels and sound pressure levels at various air flow rates												
Speed	Test mode		Octave band frequency [Hz]									
			63	125	250	500	1000	2000	4000	8000		
20%	supply	Sound power level [dB]	48,3	41,3	37,7	35,8	34,5	28,2	26,0	31,2	Sound pressure level [dB] *	21,5
	extract		39,6	37,1	36,0	32,9	30,6	22,9	24,9	29,4		23,1
	breakout		49,4	40,7	35,0	30,4	26,3	22,5	23,6	30,1		20,8
40%	supply		47,8	42,2	46,7	40,6	40,2	34,2	28,1	31,2		25,3
	extract		45,7	38,3	40,7	39,0	38,1	28,7	24,9	28,5		28,1
	breakout		50,0	45,5	39,9	37,0	34,3	28,6	25,1	30,6		24,3
60%	supply		54,4	51,2	53,8	46,2	43,0	38,9	33,8	32,0		29,7
	extract		46,1	49,2	45,3	44,4	42,4	35,2	27,0	29,3		32,7
	breakout		49,5	41,9	45,4	41,7	39,4	35,2	27,6	30,3		27,7
80%	supply	50,4	51,2	56,7	53,9	48,5	43,2	39,9	34,9	34,5		
	extract	52,9	48,9	47,5	51,3	47,2	40,8	31,2	30,0	36,8		
	breakout	48,9	43,3	46,8	50,0	42,4	38,6	31,3	30,1	32,2		
100%	supply	49,3	49,8	52,9	54,0	51,0	46,3	41,2	35,7	35,1		
	extract	43,8	45,8	50,7	56,3	50,0	44,3	35,7	29,7	38,2		
	breakout	53,2	46,9	48,0	52,8	45,4	42,1	35,1	30,5	34,9		

* at 3 m

Dependence of power input on volumetric air flow rate				
Q [m ³ /h]	54	76	104	133
P [W]	9,3	13,6	20,4	30,9

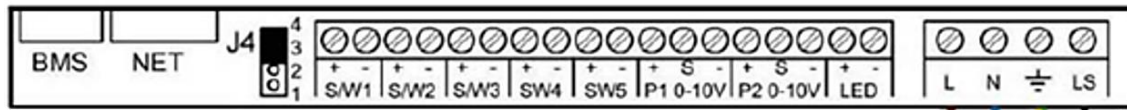
Product fiche according to the European Commission Regulation (EC) No. 1254/2014		
a) Supplier's name or trade mark	-	Regulus
b) Supplier's model identifier	-	Kinetic 200 ZPH
c) specific energy consumption (SEC) for warm / average / cold climate	[kWh/(m ² .a)]	-10,92/ -34,35 / -76,04
	class	A
d) Declared typology in accordance with Article 2 of this Regulation	-	BVU
e) Type of drive installed or intended to be installed	-	variable speed
f) Type of heat recovery system	-	recuperative
g) Thermal efficiency of heat recovery	[%]	80
h) Maximum flow rate *	[m ³ /h]	168
i) Electric power input of the fan drive, including any motor control equipment, at maximum flow rate	[W]	150
j) Sound power level	[dB]	n/a
k) Reference flow rate	[m ³ /s]	117,43
l) Reference pressure difference	[Pa]	210
m) SPI	[W/(m ³ /h)]	0,39
n) Control factor / control typology	-	0,85 / central demand
o) Declared maximum internal / external leakage rates	[%]	TBC / TBC
q) Position and description of visual filter warning	-	yes
s) Internet address for pre-/dis-assembly instructions	-	www.regulus.eu
v) The annual electricity consumption (AEC)	[kWh/a]	9,24
w) The annual heating saved (AHS) for warm / average / cold climate	[kWh/a]**	19,71 / 43,59 / 85,27

* value measured at 100 Pa static pressure as per the European Commission Regulation No. 1254/2014

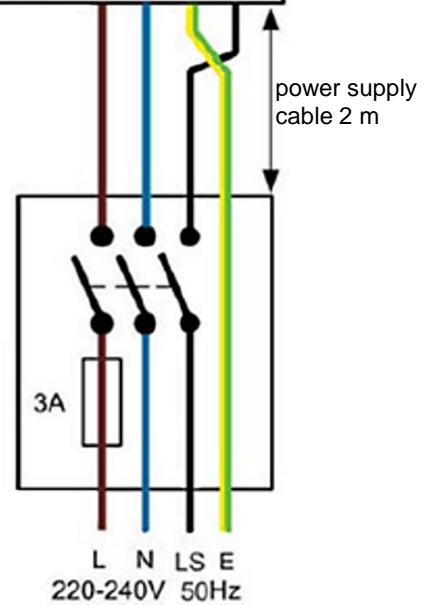
** kWh of primary energy per year

Sentinel Kinetic Horizontal 200 ZPH

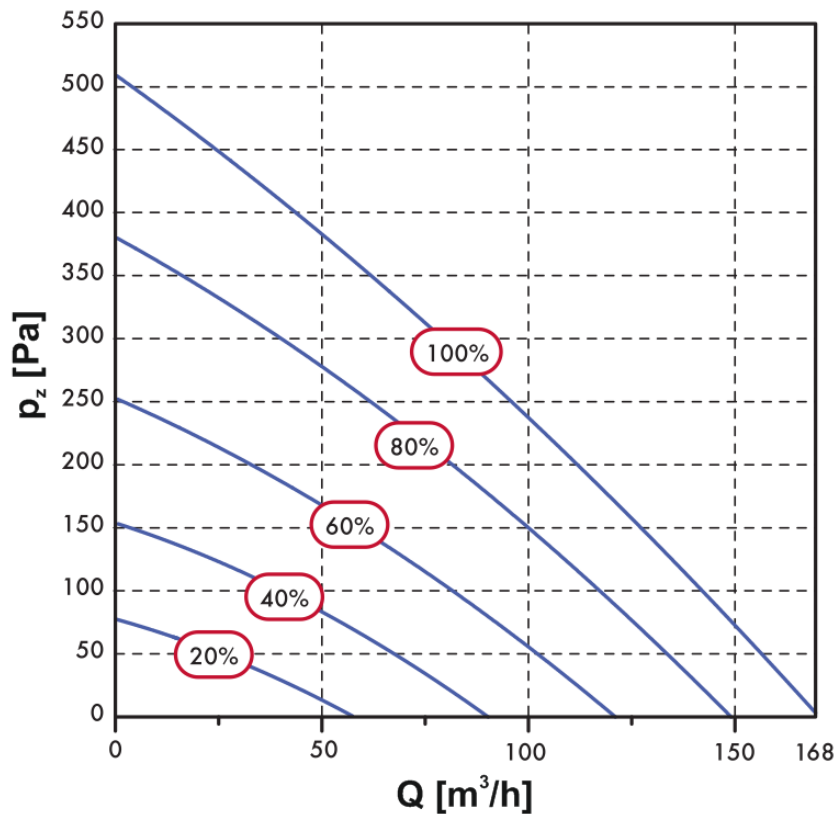
Wiring of terminals, switches and sensors

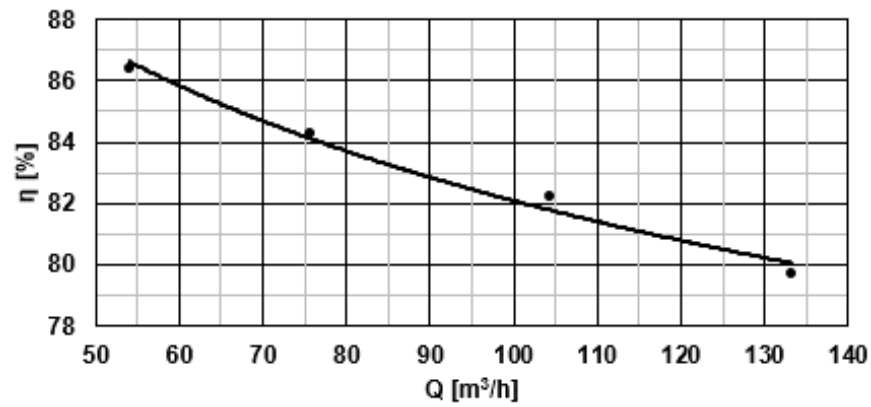


- BMS** wiring to Building Management System
- NET** network
- J4** Vent-wise terminals
- S/W1** when jumper is used on terminals 3-4, these terminals are designed for volt-free contact for sensor input between + and - terminals
- S/W2**
- S/W3**
- S/W4** volt-free contact for sensor input between + and - terminals
- S/W5**
- P1 0-10 V** 0-10 V proportional sensor input is received between S and - terminals; 24 V DC sensor supply is output between the + and - terminals
- P2 0-10 V**
- LED** 5 V LED driving signal output between the +
- L** live, 220 - 240 V AC, 50 Hz
- N** neutral, 220 - 240 V AC, 50 Hz



Graph of performance data



Sentinel Kinetic Horizontal 200 ZPH**Graph of efficiency depending on airflow (EN 308)**

For $t_e = +5\text{ °C}$ and $t_i = +25\text{ °C}$.