

# Regulus

[www.regulus.eu](http://www.regulus.eu)



VZK 3xx - 230 - 1P - 001

Instruction Manual  
**MOTORIZED 3-WAY ZONE BALL VALVE**  
VZK 3xx - 230 - 1P - 001

**EN**

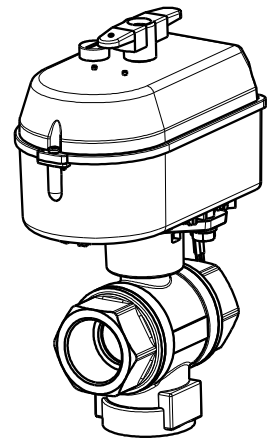
**VZK 3xx - 230 - 1P - 001**

## 1 – APPLICATION

Motorized valves of VZK 3xx - 230 - 1P line can be used in connection with any controller that is fitted with a 230 V switch.

## 2 - FEATURES

The actuator is designed for easy on-site installation. When the actuator reaches either end position the voltage supply is interrupted by limit switches. In case of a controller failure the actuator can be put into a manual mode by turning the button on the housing cover with a screwdriver which will disengage the gears. The actuator can now be set in any position by turning the handle and this position is indicated on a scale.



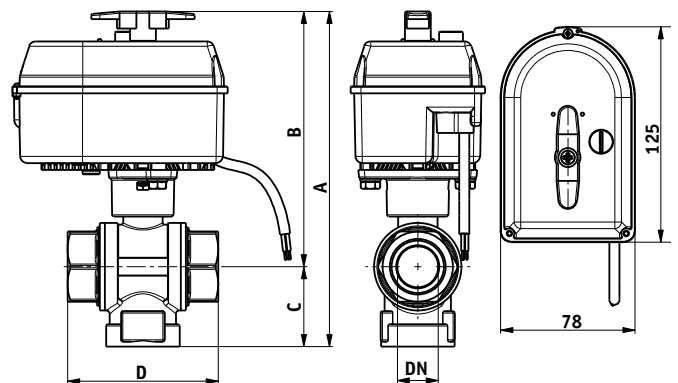
## 3 – TECHNICAL DATA

### Actuator

Power supply:	230 V, 50 Hz
Power consumption (operation):	9 VA
Power consumption (stand-by):	5 VA
Microswitch rating:	1 (1) A, 250 V, 50 Hz
Electrical protection:	IP44
Protection class:	II
Rotation time:	64 s/180°
Torque:	15 Nm
Ambient temperature:	0 °C to 55 °C
Storage temperature:	-20 °C to 80 °C
Connection cable:	2 m long, 4 x 0.5 mm <sup>2</sup>

### Valve

Medium temperature:	from 5 °C to 110 °C
Max. working pressure:	PN25
Medium:	Sanitary/drinking water and non-aggressive fluids.

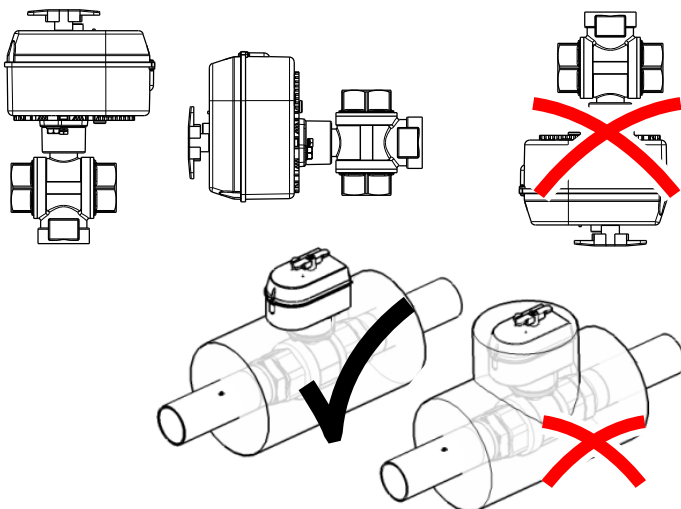


## 4 – DIMENSIONS

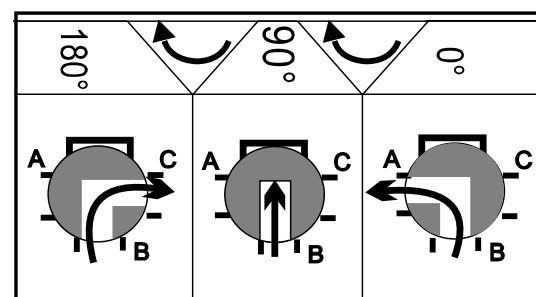
Model	Code	G	DN [mm]	A [mm]	B [mm]	C [mm]	D [mm]	K <sub>vs</sub> [m <sup>3</sup> /h]	Weight [kg]
VZK 320 - 230 - 1P - 001	11293	3/4"	20	183	144	39	74	7	1.19
VZK 325 - 230 - 1P - 001	11294	1"	25	194	148	46	88	11	1.53

## 5 – CONNECTION

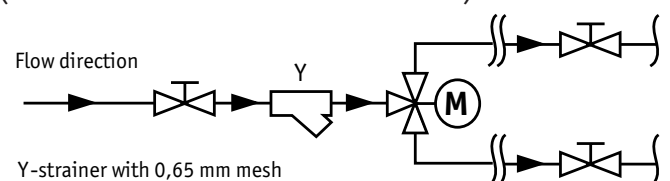
Mounting positions and valve insulation



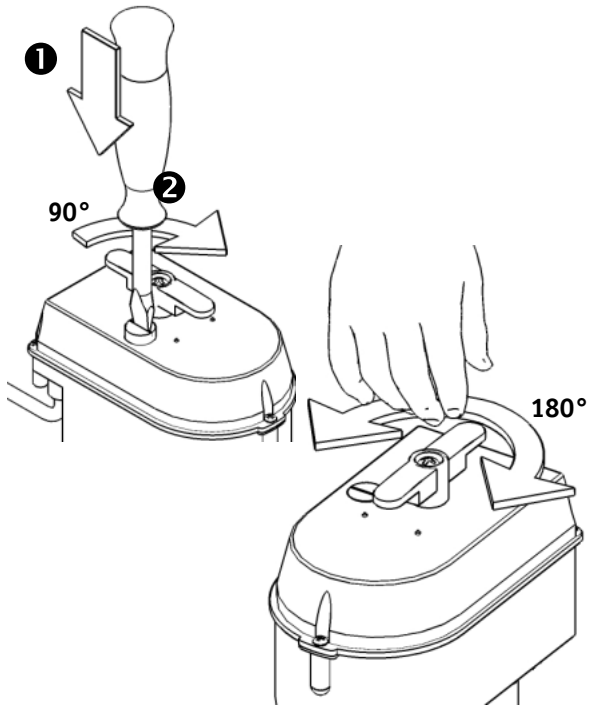
Flow through valve



PERMISSIBLE HYDRAULIC CONNECTION  
(VALVE INSTALLED AS A FLOW DIVIDER)

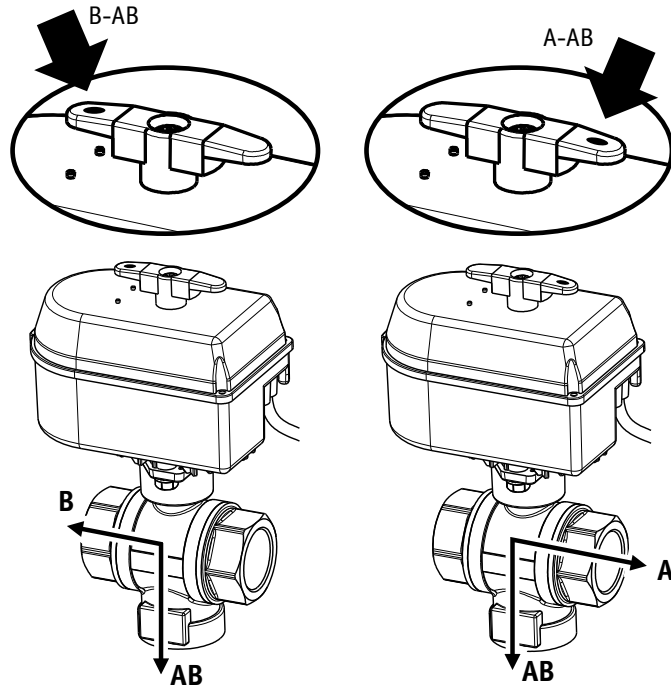


## 6 - MANUAL OPERATION



## 7 - VALVE POSITION

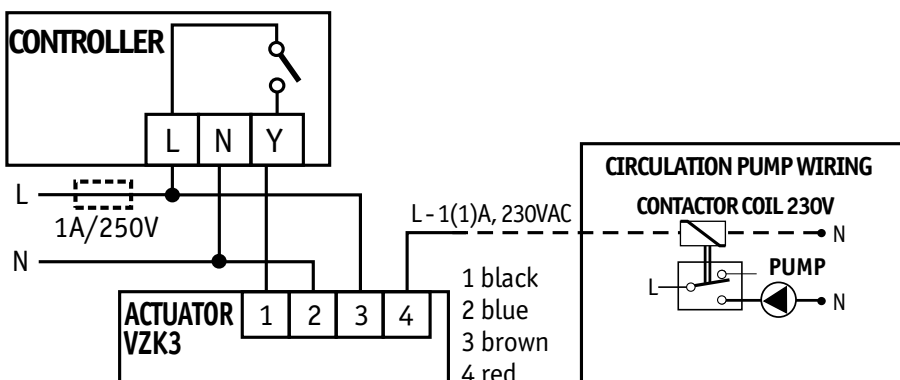
The lever position indicates clearly if the valve is open or closed.



## ACTUATOR INSTALLATION

## 8 - ELECTRIC WIRING OF ACTUATOR

Controlled by a switch in a controller or thermostat (2-point (SPST) wiring)



### WARNING

The actuator shall be protected by 1A fuse. Before opening the actuator lid, disconnect the power supply. 230V appears on terminal 4 in either A and B direction when the valve is fully open. This output can control a circulation pump via a contactor. Respect safety rules when working on an electric appliance. Wiring shall be done in compliance with valid standards.

# WARRANTY CERTIFICATE

## Motorized 3-Way Zone Ball Valve

**VZK 3xx - 230 - 1P - 001**

Seller: ..... Date of Purchase: .....

### WARRANTY CONDITIONS

1. The Seller grants the Buyer a Guarantee period of 24 months from the date of purchase.
2. The product will be installed and commissioned by a competent company or a person trained by the manufacturer.
3. When claiming warranty, this Warranty Certificate must be submitted together with the purchase receipt.
4. The warranty is valid only when the technical conditions set by the Manufacturer, installation manual and instructions in the documentation and on the product itself are maintained.
5. The warranty does not cover defects caused by external conditions or improper working conditions, defects caused by normal wear and tear, further when the product is not used in compliance with its purpose and when the defect was caused by mechanical damage to the product, improper handling, tampering by a third person, improper installation, improper stocking, natural disaster etc.

### COMMISSIONED BY

Company name: .....

Date: .....

Rubber stamp print and signature of the installer: