

# PROTECTION AGAINST BOILER CORROSION AND FOULING

## Load Valves with automatic by-pass balancing



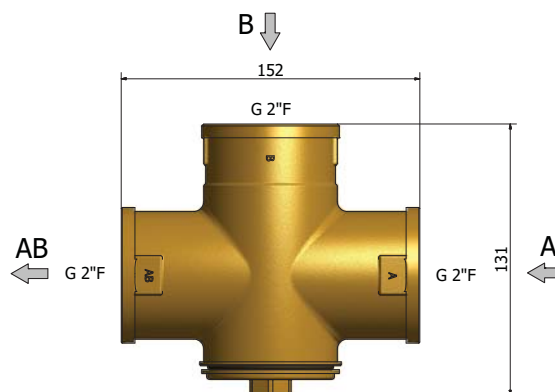
### TSV8B

Valves for return temperature control, with automatic by-pass balancing

TSV B load valves mix cool return water from a heating system or thermal store with hot water from a boiler flow, **keeping boiler return water** (i.e. its heat transfer surfaces) at a temperature that **will not allow condensation to occur**. The boiler then works with higher efficiency and its service life is extended.

The valves feature automatic by-pass balancing. The exact control prevents boiler overheating and keeps a steady flow rate through a boiler under any temperature if the system is properly designed. When restricting the flow through one inlet, it opens the other one simultaneously.

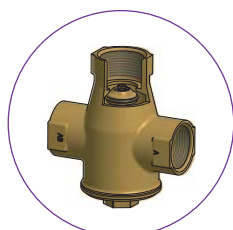
### DIMENSIONS



### VERSIONS

		TSV8B 45	TSV8B 55	TSV8B 65
OPENING TEMPERATURE	°C	45	55	65
NOMINAL DIAMETER	-	DN50	DN50	DN50
CONNECTION SIZE	--	G 2" F	G 2" F	G 2" F
$K_{vs}$ from A to AB	$m^3/h$	15.8	15.8	15.8
$K_{vs}$ from B to AB	$m^3/h$	11.1	11.1	11.1
WEIGHT	kg	1.85	1.85	1.85
CODE	--	12977	12978	12979

### CONNECTION IN A SYSTEM



TSVB valve with automatic by-pass balancing

