

PROTECTION AGAINST BOILER CORROSION AND FOULING

Insulated Load Units



THERMOMAT

Load unit with thermostatic mixing and floating non-return valve

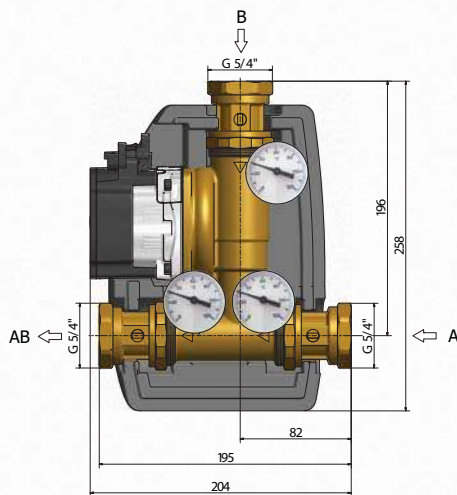
ThermoMat ECO+ LK 810 Load Unit mixes cool return water from a heating system (or thermal store) with hot water from a boiler flow, keeping boiler return water at a given min. temperature (55°C, 65°C, 72°C, depending on the type).

The floating non-return valve permits boiler cooling through gravity circulation in case of a power failure, preventing also thermal store cooling down via extinguished boiler.

Technical Data

FLUID WORKING TEMPERATURE	2 - 110 °C
MAX. WORKING PRESSURE	10 bar
POWER SUPPLY	230 V, 50 Hz
IP RATING	IP44
TOTAL WEIGHT	3.45 kg
CONNECTION	3 x G5/4" F
PUMP OPERATING POINT at Δt 20 K	1.9 m ³ /h flow rate 4.6 m head

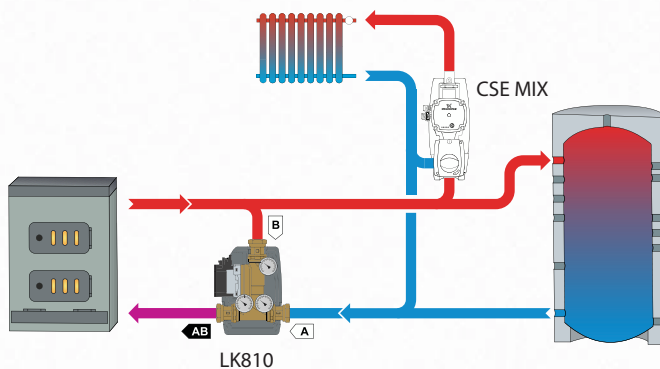
Dimensions



Versions

Version	LK810 - 55	LK810 - 65	LK810 - 72
Min. temper. of return to boiler	55 °C	65 °C	72 °C
Recommended max. boiler output	56 kW	45 kW	41 kW
Code	15046	15047	16244

Connection in a system



The load unit consists of:

- Grundfos UPM3 AUTO L Circulation pump
- Thermostatic load valve
- By-pass w. automatic balancing
- Floating non-return valve
- 3 thermometers
- 3 5/4" ball valves with union nuts
- Neat insulation for low heat loss