

LOAD UNITS FOR BOILERS



RGMAT E G RegulusRGMAT Load Unit

Load unit for solid-fuel boilers and fireplaces that prevents **low-temperature corrosion and boiler fouling by keeping a boiler (fireplace) inlet temperature** through a thermostatic valve.

RGMAT E G load unit comes in a left-hand version (outlet to boiler is on its left side), and can be easily modified to a right-hand version (outlet to boiler on its right side) during installation. Its installation position can be either horizontal or vertical.

It consists of a Grundfos UPM3 FLEX AS 25-70 high efficiency circulation pump incl. connection cables, a ball shut-off valve for the pump, thermometer, insulation and TSV3BF valve with a thermostatic element of 45 to 70 °C opening temperature.

Technical Data

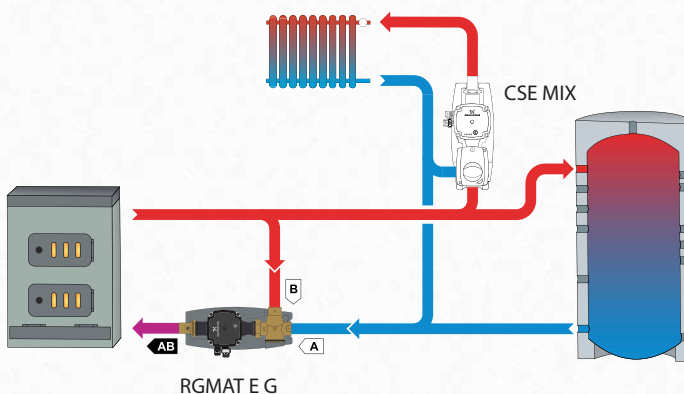
CONNECTIONS	3 x G1" F
FLUID WORKING TEMPERATURE	5 - 95 °C
POWER SUPPLY	230 V, 50 Hz
TOTAL WEIGHT	3.25 kg
K_{vs} from A to AB	6.2 m ³ /h
K_{vs} from B to AB	4.4 m ³ /h
MAX. HEAD	7 m
PUMP OPERATING POINT	1.8 m ³ /h flow rate 4.9 m head

Prevention of low-temperature corrosion of boilers.
Installation possible with A inlet from either right or left side.
Minimum heat loss thanks to thermal insulation.

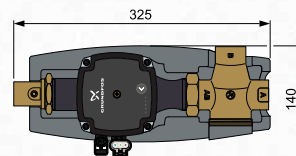
Versions

RGMAT E G	45 G	50 G	55 G	60 G	65 G	70 G
Valve opening temp.	45 °C	50 °C	55 °C	60 °C	65 °C	70 °C
Recommended max. boiler output	48 kW	44 kW	37 kW	33 kW	27 kW	23 kW
Code	14925	15910	14926	15911	14927	15912

Connection in a system



Dimensions



Available also as a variant with a thermostatic valve with manual bypass balancing.